

***POLYMERTEST***  
Tr.T.Bati 299 , 764 22 Zlin  
**DELIVERY OFFER**

Chambers for inflammability determining of building materials in exposure direct flame according to DIN 4102-1/B2, DIN 50 050, DIN 50 051, (CSN EN ISO 11925-2).



### Device description

The device has below mentioned parts:

- Flue chamber
- The burner with movable and rotatable fixture for inflammability determining
- Basic holder of specimen
- The second holder of specimen – for fluid materials or shrinking material in response to flame
- Frame for holders enabling sliding movement in vertical and horizontal directions from tender and to tender
- Anemometer

# POLYMERTEST

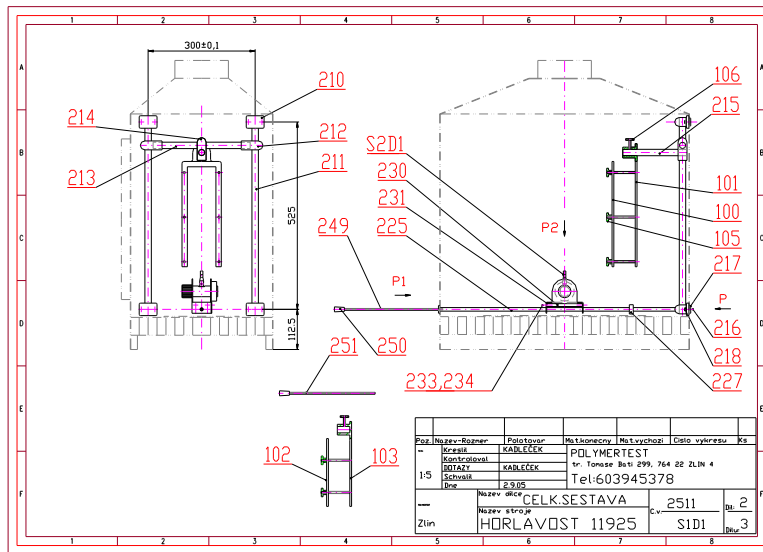
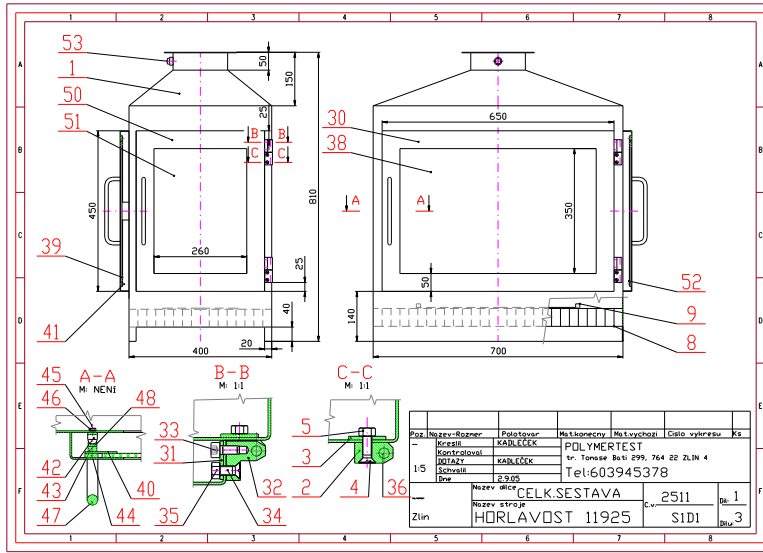
Tr.T.Bati 299 , 764 22 Zlin

## DELIVERY OFFER

- scales for the flame size adjusting and two scales for position burner adjustin toward the specimen

### The flue chamber

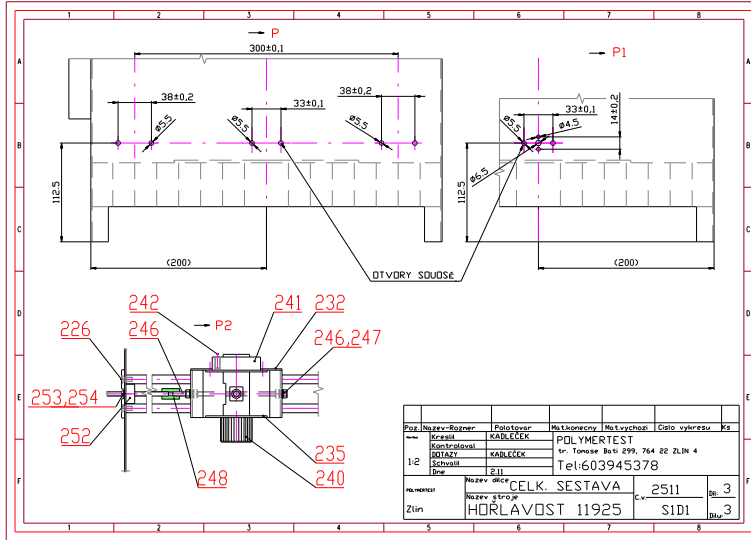
The chamber is made by the stainless metal plate size 1,5 mm. In front and on right side is glassed-in door for sighting. In bottom part has the chamber grid and on it stainless plate. In upper part of venting is made the vent for anemometer slipping. This vent will be in case of anemometer taking out blinded.



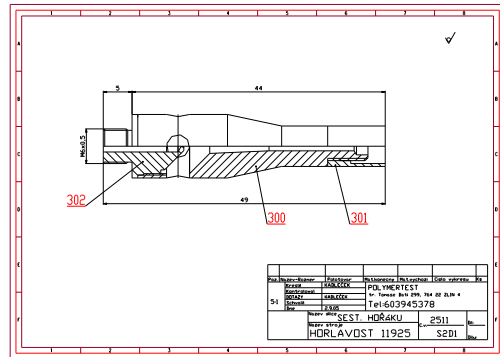
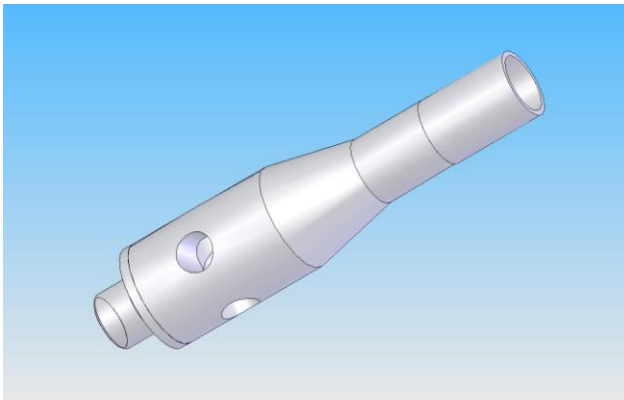
# POLYMERTEST

Tr.T.Bati 299 , 764 22 Zlín

## DELIVERY OFFER

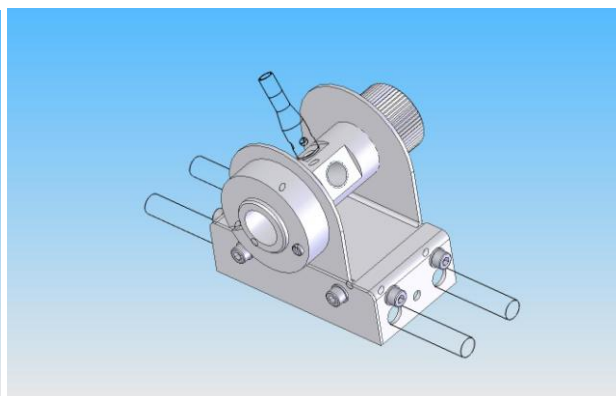
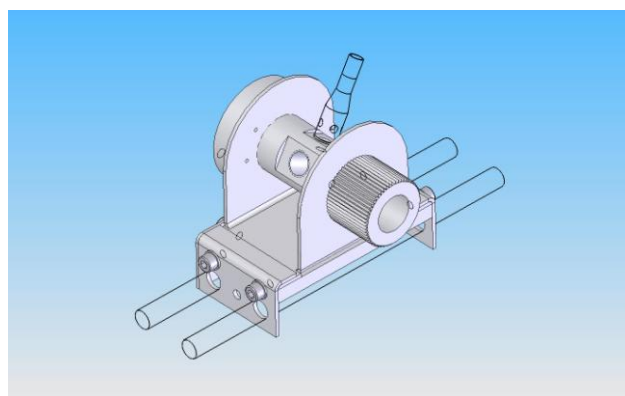
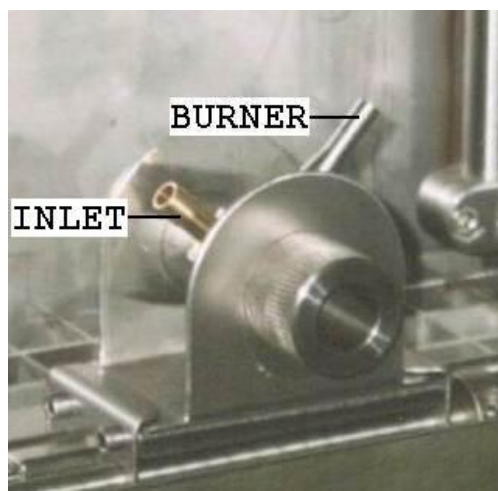


### The Burner



***POLYMERTEST***  
Tr.T.Bati 299 , 764 22 Zlin  
**DELIVERY OFFER**

The detail – the burner screwed in rotatable holder



The burner for flammability determination is fixed to holder and made possible rotating round the vertical ax at  $45^{\circ}$ . Hereafter made possible moving to testing material.

The burner is connected by hose to propane bottle with the reducer. The part of the burner is reducer for the flame high adjusting.

***POLYMERTEST***  
Tr.T.Bati 299 , 764 22 Zlin  
**DELIVERY OFFER**

### The basic holder of specimen

There are fixing specimens with size 90 mm x 250 mm. Makes double U with width 15 mm and axial length 5 mm by stainless steel. Both half-parts are pieced by screws. The holder is fixed to holder, what is in the flue chamber.

### The second specimen holder

Is using for fluid materials or shring material in owing to flame. There are fixing materials with size 180 mm x 250 mm and it is made by frame in mold of double U by staineless steel.

### The frame to holders

enabling sliding moving in vertical and horizontal directions from tender and to tender

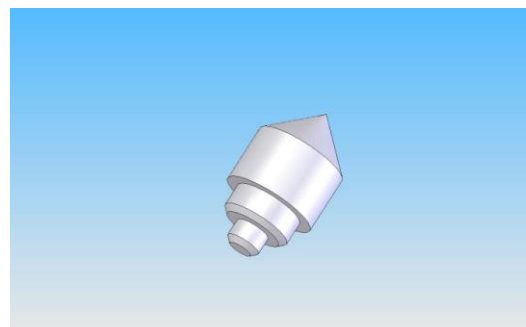
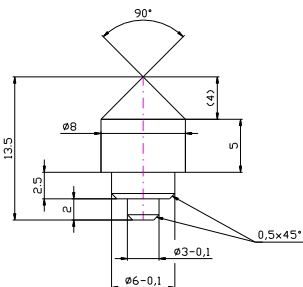
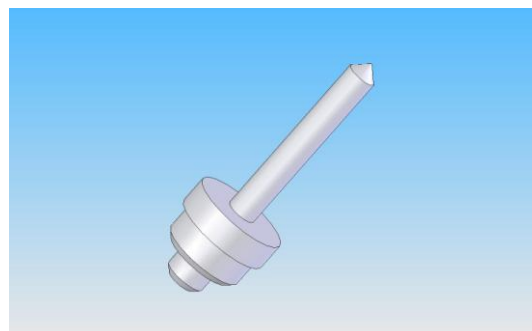
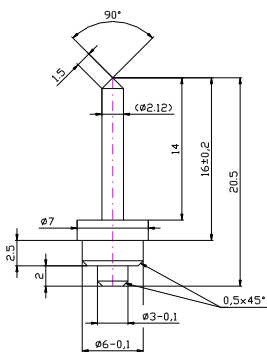
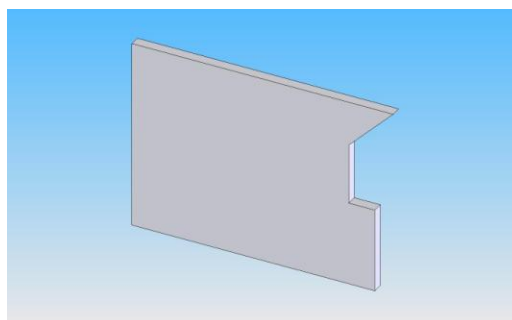
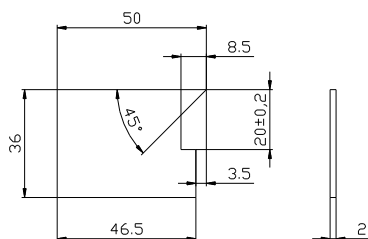
### Anemometer

It is instrumental toward the air flow speed in chamber – according the standart. The speed is measured by this way – the anemometer is before the test intromit to chamber the upper part ( to socket) and by the flap in sucking is adjusted asked speed. During the test is anomometer pushed out and the measuring is not made.



**POLYMERTEST**  
 Tr.T.Bati 299 , 764 22 Zlin  
**DELIVERY OFFER**

The scales the flame size adjusting and two scales for position burner adjustin toward the specimen



***POLYMERTEST***  
Tr.T.Bati 299 , 764 22 Zlin  
**DELIVERY OFFER**

Technical parameters

The chamber dimensions

high	810 mm
width	700 mm + door width
depth	400 mm
material	stainless 1,5 mm
Anemometer	Range 0-20 m/s, the accuracy $\pm 0,03 +5\%$ by the measuring value Including calibration act.

The part of the delivery is not propan bottle, reducer for gas and hose pressure adjusting.

Ing. Bohdan Kadlecek

POLYMERTEST  
Ing.Bohdan Kadlecek  
Trida Tomase Bati 299, 764 22 Zlin 4 CZ  
Bohdan Kadleček  
ICO: 12218197  
DIC: CZ 6712250116

Telefon: +420 577 105 147, 603 945 378  
Fax: +420 577 105 147